

FROST
DENMARK

NOVA2
HYGIENE / WASTE BIN

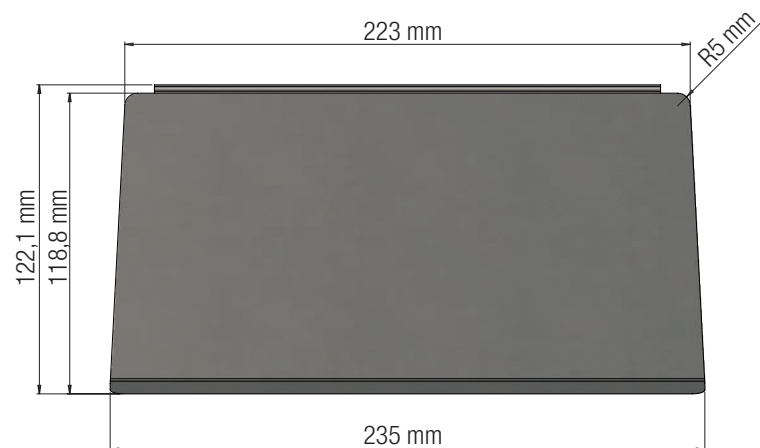
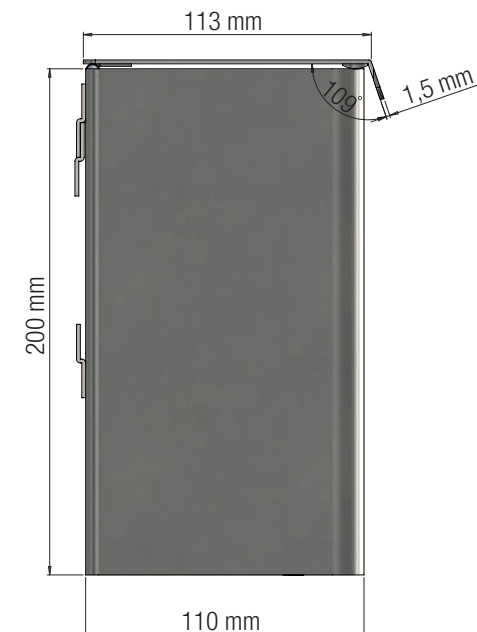
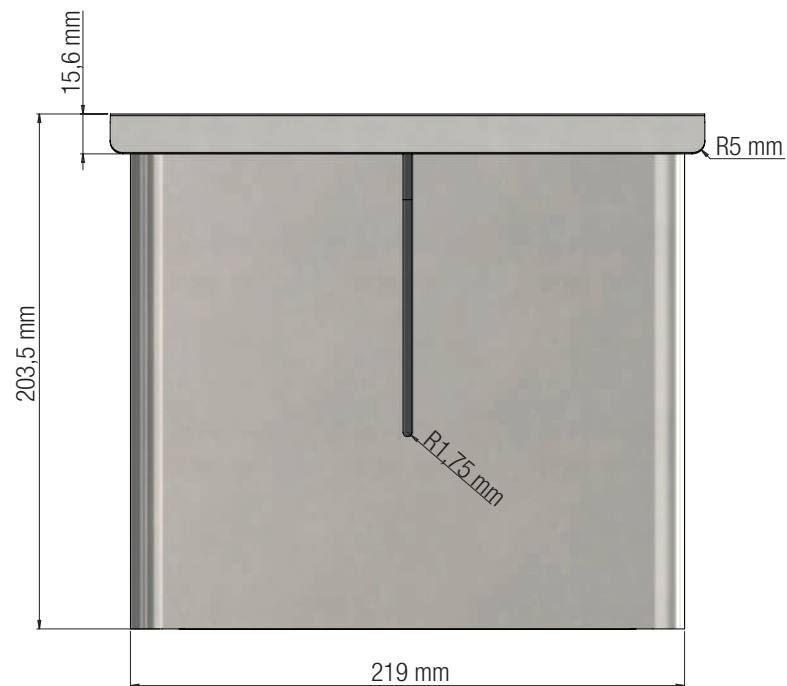
Fitting instruction

N1974



Material: Stainless steel, AISI 304
Design: Bønnelycke mdd.
Manufacturer: FROST A/S

HYGIENE / WASTE BIN, 15 ltr.



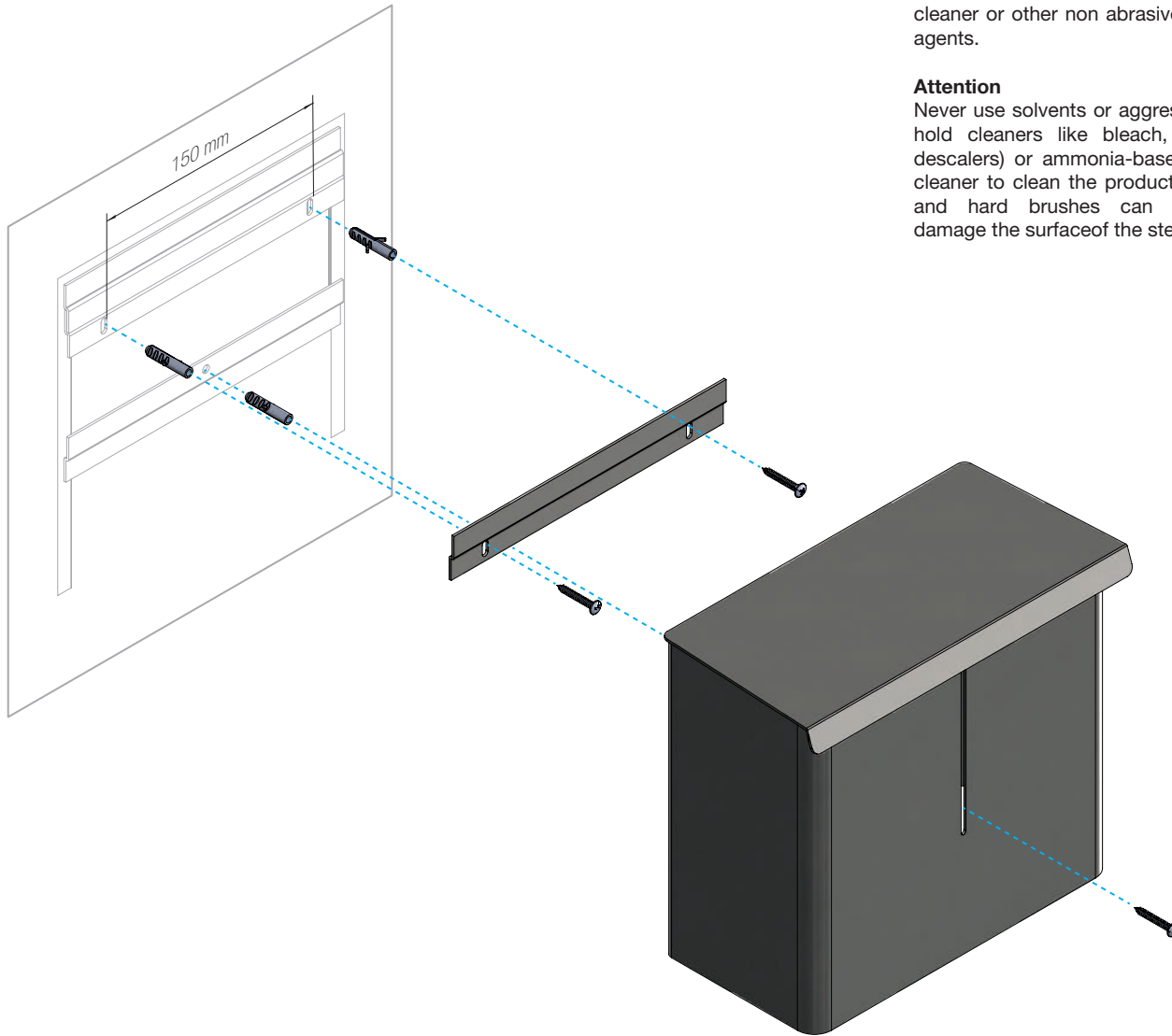
Exclusion of liability

FROST accepts no liability whatsoever for damage to persons or property that occurs or has occurred as a result of improper installation or maintenance, particularly if the safety instructions and other points to note listed are not or have not been observed in full.

Warning and hazard notices

Improper mounting or use can lead to accidents and serious injuries.

FITTING INSTRUCTION

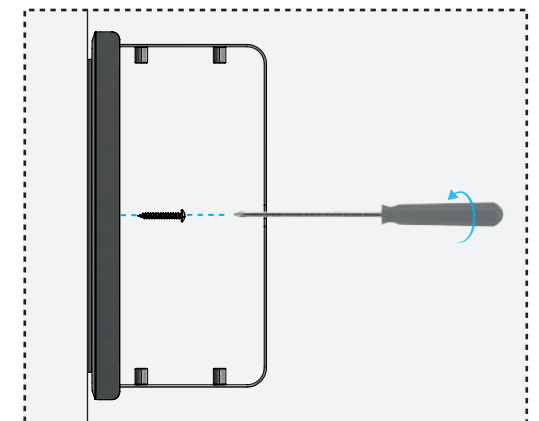
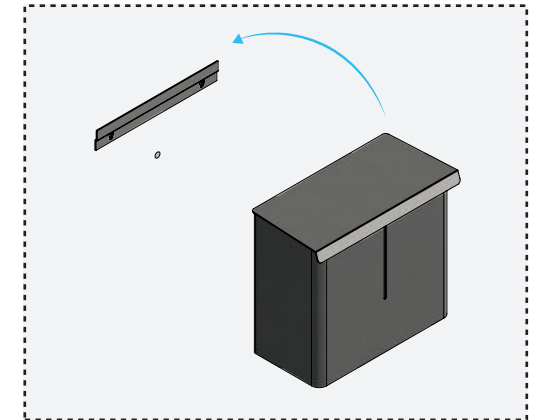
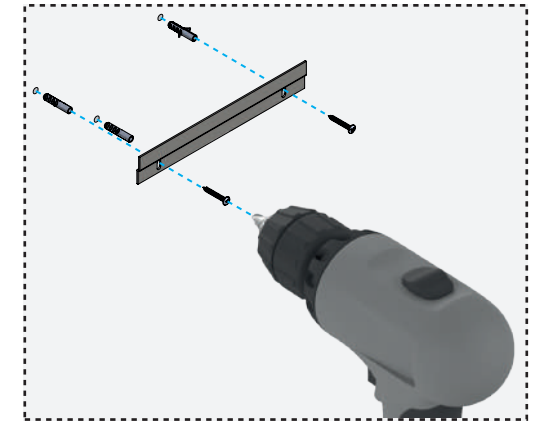


Cleaning and maintenance

Stainless steel surfaces should be cleaned with a microfibre cloth, glass cleaner or other non abrasive and gentle agents.

Attention

Never use solvents or aggressive household cleaners like bleach, acids (e.g. descalers) or ammonia-based bathroom cleaner to clean the product. Steel wool and hard brushes can permanently damage the surface of the steel.



FROST
DENMARK

Bavne Allé 32
DK-8370 Hadsten
+45 8761 0032
info@frost.dk

www.frostdenmark.com

O1974



N1974



N1974-C



N1974-BOC



N1974-GO



N1974-BMG



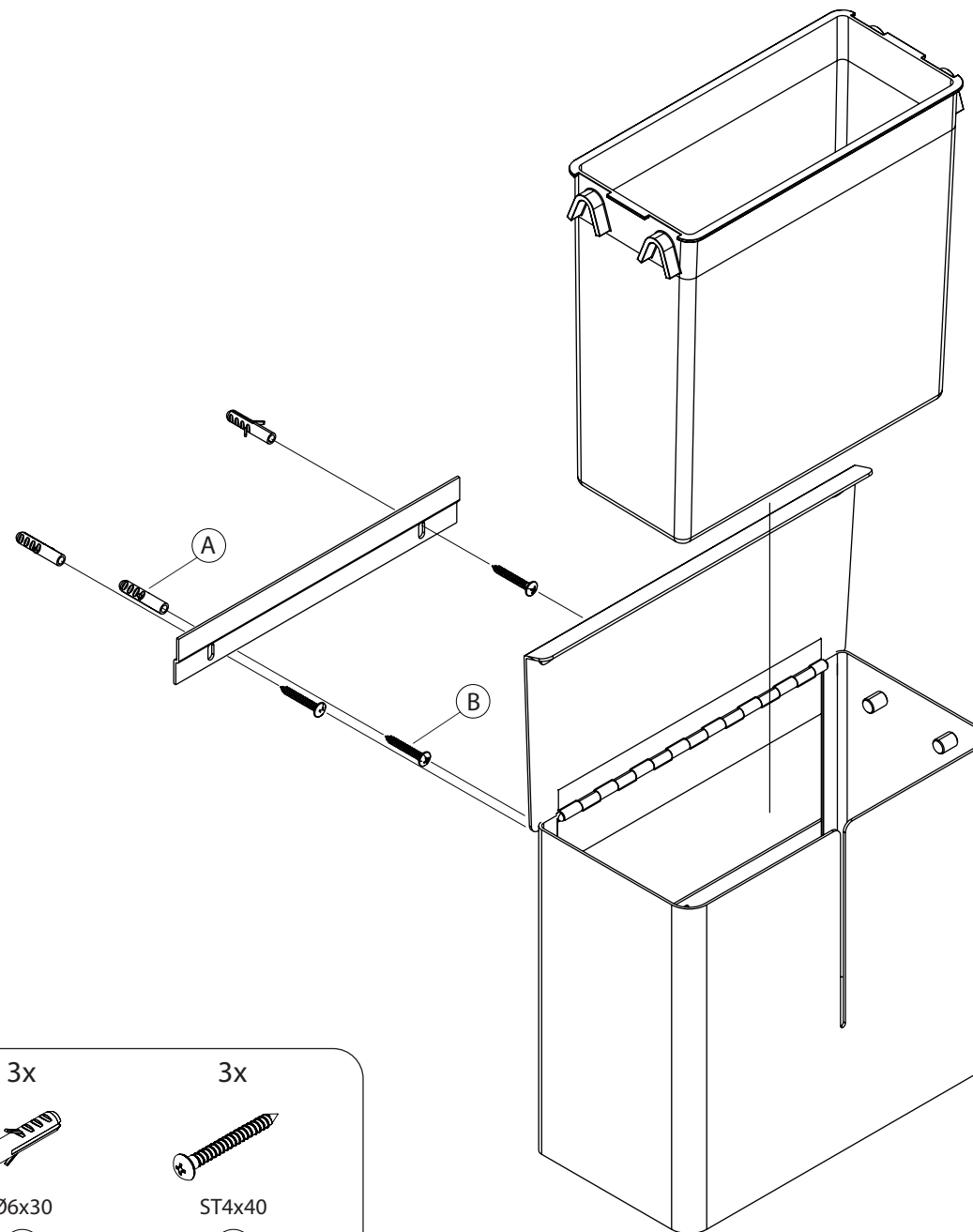
N1974-B



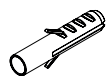
N1974-BCB



N1974-W



3x



Ø6x30

(A)

3x



ST4x40

(B)