

vipp



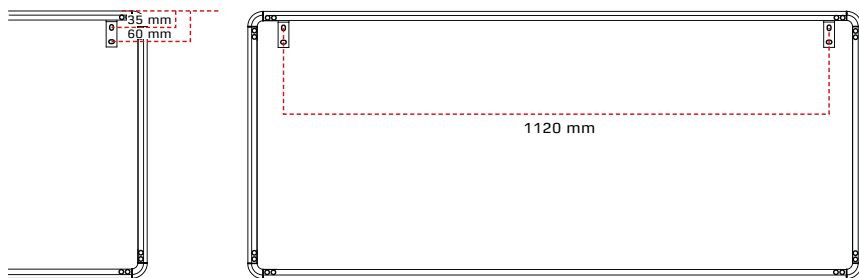
VIPP912
MIRROR

INSTALLATION & CARE INSTRUCTIONS

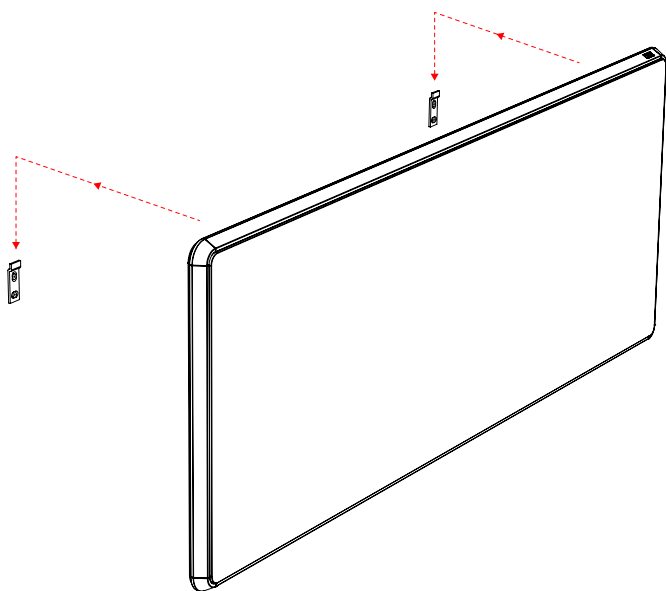
INSTALLATION GUIDE HORIZONTALLY

VIPP912 MIRROR

Please use correct wall anchors and screws matching both the weight of the mirror and the wall type. The weight of the mirror is 15 kg and each bracket has to hold 7.5 kg.



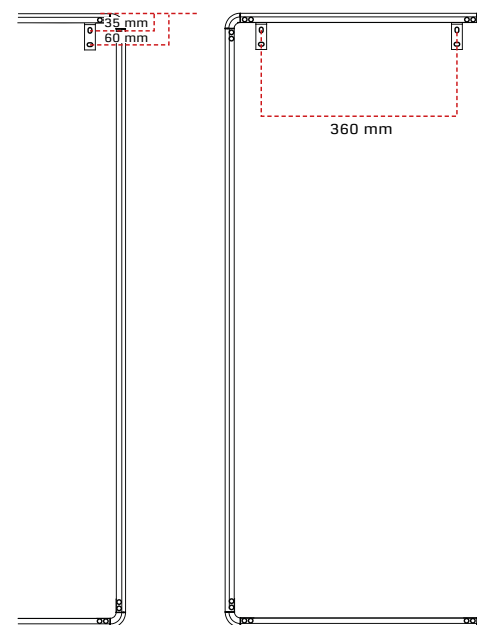
Drill holes for the mounting brackets. Mount the brackets with anchors and screws - each bracket has to hold at least 7.5 kg. Adjust the height of the brackets with a spirit level. Place the mirror against the wall and slide it downwards until the mirror frame locks properly onto both brackets. If you can pull the mirror outwards without detaching it from the brackets, the mounting is complete and durable.



INSTALLATION GUIDE VERTICALLY

VIPP912 MIRROR

Please use correct wall anchors and screws matching both the weight of the mirror and the wall type. The weight of the mirror is 15 kg and each bracket has to hold 7.5 kg.



Please follow the installation guide on the previous page.

CARE INSTRUCTIONS

POWDER-COATED SURFACES

Keep powder-coated surfaces clean and dry. Use a lint-free cleaning cloth or a soft brush with warm water and a mild detergent. This applies to both smooth and rough surfaces.

TIPS FOR STAINS

Grease stains: Use alcohol or glass cleaner to remove grease stains. Then follow the guide for maintenance above.

Lime stains on the black (rough) surface: Use a mild descaler suitable for painted surfaces. Use a lint-free cleaning cloth. Rinse with clean water and finally wipe with a dry cloth.

GLASS SURFACES

Use a lint-free cleaning cloth with spray based glass cleaner.